

Stenhøj Mascot 3311 S

Stenhøj Mascot 3311 S

Mascot 3311 S is a single motor, 2-post electro-mechanical lift with base frame.

Stenhøj Mascot 3311 S is equipped with system against nut breakage, internal arm locking system that is automatically released in bottom position; as well as chain breakage system.

Mascot 3311 S has a lifting capacity of 3 t and is equipped with screw pads – and only one type of arm sets (for dimensions see back of brochure).

We offer only one type of pad sets for this lift type – a set of pad extensions, which increases the height by 20 mm.

The lift is as standard without rubber post covers.



Mascot 3311 S has adjustable screw pads – adjustable from 125 mm to 175 mm.

The Mascot 3311 S arm design is completely new.

Likewise, the Mascot 3311 S control unit is new and with impulse system.

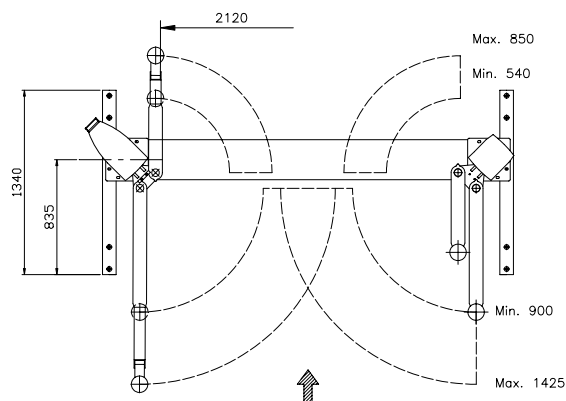
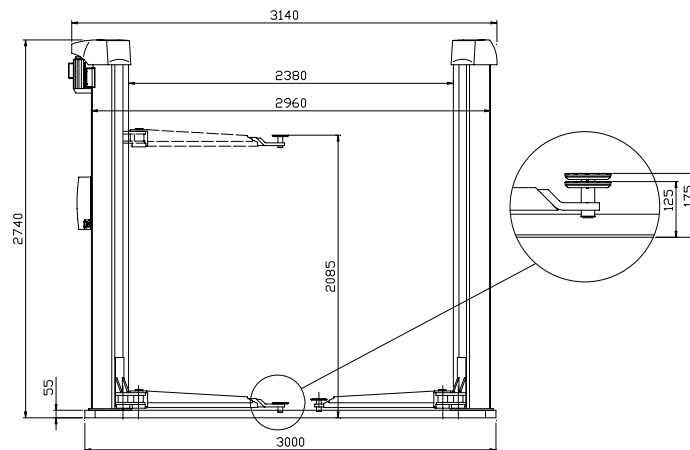
Stenhøj Mascot 3311 S

CORROSION-PROOF SURFACE TREATMENT

Stenhøj lifts are led through a sling purifying plant (according to SA2.50 – ISO-Norm 8501-1:2007), dipped in primer and finally led through an electrostatic powder bake plant.

Technical data

Lifting capacity	3000 kg
Lifting/lowering time	55 sec.
Stroke length	2085 mm
Max. lifting height	2135 mm
Min. height	125 mm
Min./max. arm lengths	540 mm/850 mm and 900 mm/1425 mm
Motor	1 x 2.8 kW




STENHØJ
lifting the level

Stenhøj Autolift A/S
Denmark

Tel: +45 76 82 13 30
Fax: +45 76 82 13 31
Mail: autolift@stenhoj.dk
Web: www.stenhoj.dk

Standard colours

Dark grey RAL 7016
Light grey RAL 7042

No liability accepted for specifications, which are subject to alteration.