

Stenhøj Biglift 4.60 F 550

Stenhøj Biglift 4.60 F 550

Twin-ram underground lift with platforms

STENHØJ Biglift 4.60 F 550 is a twin-ram hydraulic underground lift with platforms.

The Biglift has been developed for quick and simple lifting of all sorts of vans; and is especially suitable for service and inspection.

The Biglift has a lifting capacity of 6 t.

As optional extras we offer lighting set, scissor jack as well as wheel alignment equipment.



2 x 2 hard-chrome plated and inversed hydraulic cylinders running on teflon rings.



Delivered as standard with 1000 mm drive-on ramps.



Scissor jack with 2.6 t capacity is available as optional extras.

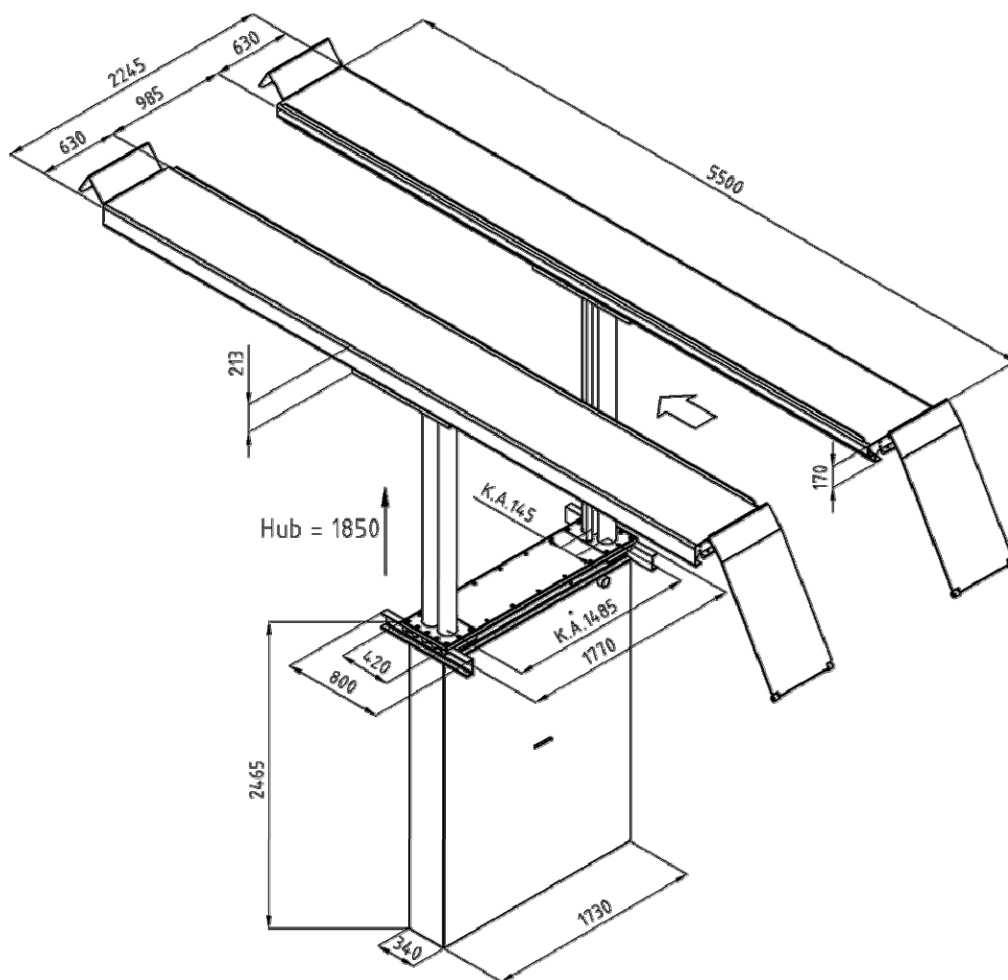
Stenhøj Biglift 4.60 F 550

SURFACE TREATMENT

Corrosion inhibited steel cassette, which on request can be delivered as self-carrying and galvanized or plastic coated. Platforms are sand-blasted, primed and then given two-component paint.

Technical data

Lifting capacity	6000 kg
Lifting/lowering time	45 sec.
Lifting height	2065 mm
Distance between pistons	1485 mm
Platform length	5500 mm
Platform width	630 mm
Drive-on height	215 mm




STENHØJ
lifting the level

Stenhøj Autolift A/S
Denmark

Tel: +45 76 82 13 30
Fax: +45 76 82 13 31
Mail: autolift@stenhoj.dk
Web: www.stenhoj.dk

Standard colour

Red RAL 3013

No liability accepted for specifications, which are subject to alteration.