

## Stenhøj MS 30 LS

## Stenhøj MS 30 LS

Hydraulic scissor lift

MS 30 LS is a Stenhøj scissor lift, suitable for wheel & tyre service for all types of vehicles, which weigh up to 3t.

The MS 30 LS lift is equipped, with double master-slave system. This system prevents uneven raising of the platforms and unintentional lowering in case of leakage in the hydraulic system.

As always safety is top priority. This is why the STENHØJ MS 30 LS is equipped with a safety valve and a system, which prevents the lift from lowering quickly in case of leakage in the hydraulic system.



  
**STENHØJ**  
lifting the level

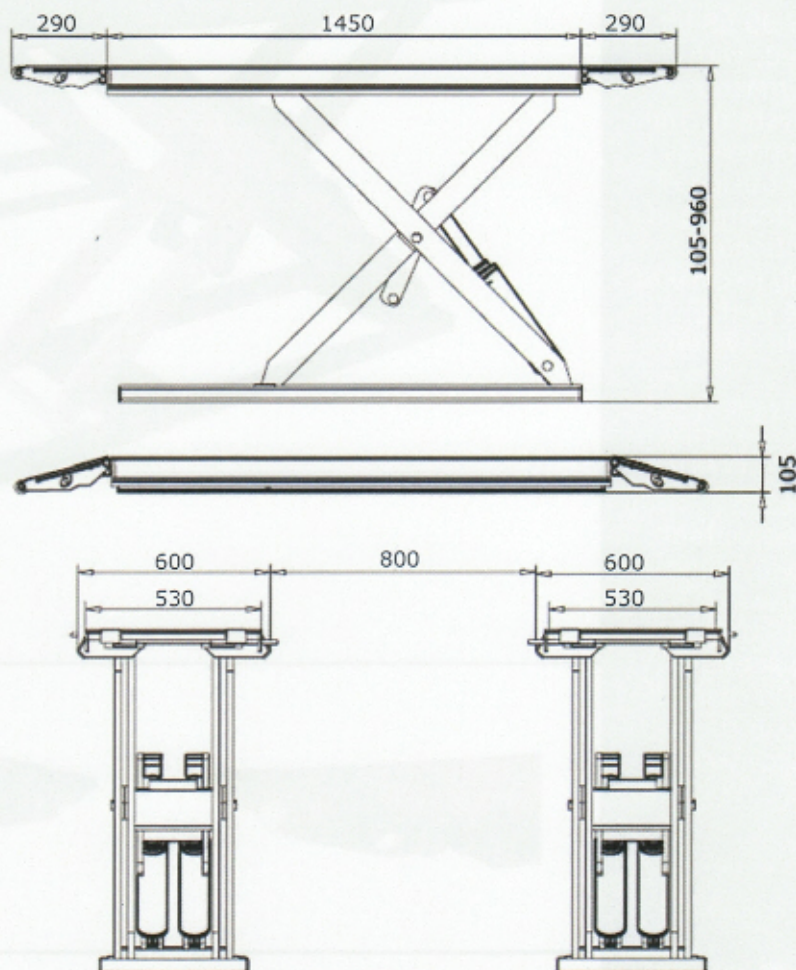
STENHØJ MS 30 LS is equipped with ramps, which can extend the platform length from 1450 mm to 2030 mm.

The low drive over height of 105 mm facilitates the support of vehicles with low ground clearance.

# Stenhøj MS 30 LS

## Technical data

Lifting capacity	3000 kg
Lifting time	50 sec.
Lifting height	960 mm
Min. height	105 mm
Platform length	1450-2030 mm
Platform width	530 mm
Distance between platforms	800 mm
Motor	2.2 kW



**STENHØJ**  
lifting the level

Stenhøj Autolift A/S  
Denmark

Tel: +45 76 82 13 30  
Fax: +45 76 82 13 31  
Mail: autolift@stenhoj.dk  
Web: www.stenhoj.dk

## Standard colours

Red RAL 3013  
White RAL 9002

No liability accepted for specifications, which are subject to alteration